

Kodak 9500

Cone Beam 3D System

User-friendly design. Superior quality.

Powerful yet easy-to-use, the large-field Kodak 9500 cone beam 3D system combines innovation with simplicity to address the dental and maxillofacial diagnostic imaging needs of today's dental practitioners. Quickly and easily visualize your patients' craniofacial structures with the unparalleled precision of 3D. The sleek and stylish unit offers the best of both worlds: simple elegance with proven quality.

Large-field 3D imaging. Simplified.

Cone-beam CT technology delivers anatomically correct images to help ensure accurate diagnoses and treatment plans. The Kodak 9500 system's intelligent design gives you the power to quickly and effortlessly select the field of view that best matches your clinical needs.

Flexible features. Safer exams.

From single jaw to full craniofacial imaging, the Kodak 9500 system provides imaging options that are suited to your specific needs. Available in two programs—large and medium-field 3D—the unit automatically optimizes radiation dose by allowing you to scan only the areas you need. So you capture clear, high-quality images that are easier to diagnose – while minimizing patient risk. In addition, customizable imaging features make the Kodak 9500 system ideal for many clinical applications including orthodontics, restorative dentistry, implantology, periodontics and oral surgeries.



Different by design. Improved patient comfort.

The modern and user-friendly design of the Kodak 9500 system truly distinguishes it from other large-field 3D systems. Face-to-face positioning ensures better patient participation, while its open design accommodates patients of all sizes and provides convenient wheelchair access. Fast scanning minimizes the risk of patient movement during the scan and ensures more relaxed patients... exactly the conditions required for successful examinations.

Easy-to-use software. Complete integration.

The Kodak 9500 system integrates with DICOM environments and can easily be connected to a high-quality medical printer. Plus, the 3D images can be quickly exported to implant planning software applications. The Kodak 9500 system integrates perfectly with the easy-to-use Kodak dental imaging software, with all the tools you need to manipulate, print, share, and archive your images.

KODAK 9500 Cone Beam 3D System features:

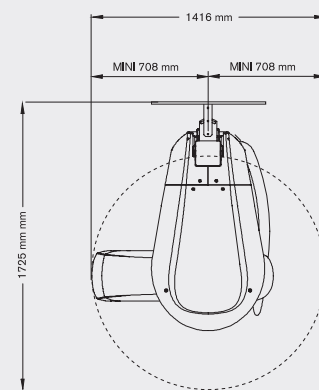
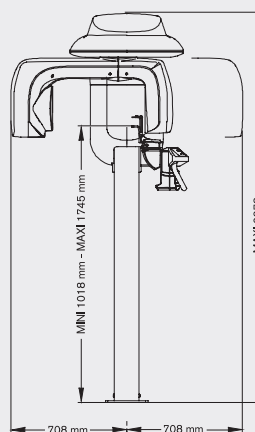
- Designed for ease-of-use and optimal patient comfort
- Pre-programmed settings help you easily capture high-quality images
- Fast image reconstruction saves time and increases productivity
- Standard DICOM 3.0 file format supports DICOM integration and printing
- 3D imaging software includes implant planning module
- Capture dental and craniofacial anatomy in a single exam
- For optimum results and dose, user can select large or medium field-of-view
- Backed by a team of support experts



TECHNICAL SPECIFICATIONS

Tube voltage	60 – 90 kV (max), pulsed mode
Tube current	2 – 15 mA (max)
Frequency	140 kHz (max)
Tube focal spot	0.7 mm (IEC 336)
Total filtration	>2.5 mm eg. Al
Weight	176kg
3D technology	Amorphous silicon flat panel
Field of view	Large-field program: 184 x 206 mm Medium-field program: 90 x 150 mm
Reconstruction time	2 min. 20 sec.*

*Depends on computer configuration



Minimum operational required space:**
Depth x width: 1725 mm x 1635 mm
**Refer to local regulatory requirements



To schedule a demonstration or to receive further information, please call **1300 363 830** or visit our website www.williamgreen.info



Carestream Health, Inc.

©Carestream Health, Inc., 2009.
The Kodak trademark and trade dress are used under license from Kodak.

William Green Pty Ltd
47-49 Mary Parade, Rydalmere NSW 2116, Australia
Phone 1300 363 830 Fax (02) 9638 4017
www.williamgreen.info